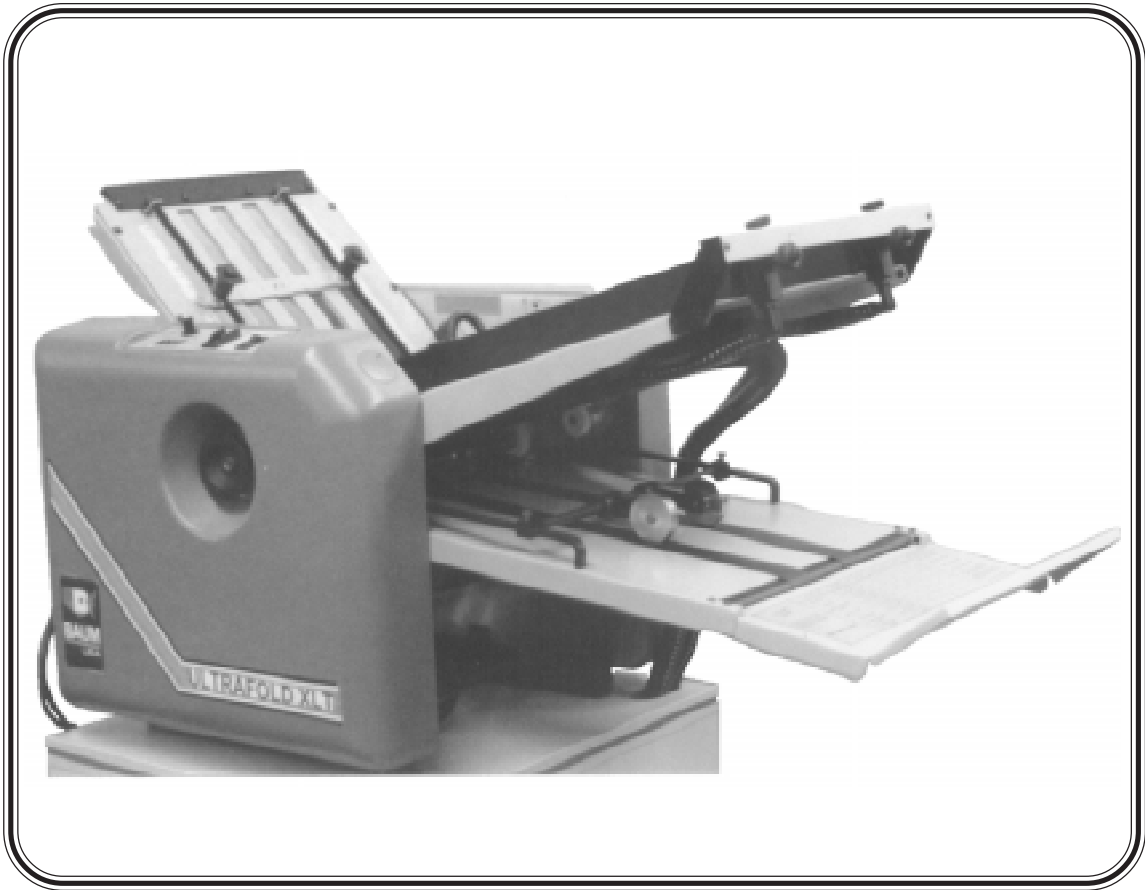




BAUMFOLDER



**714XLT**  
**SOUND COVER**  
**INSTALLATION**

© 1999 BAUMFOLDER CORPORATION  
All Rights Reserved

### **WARNING**

- Do not operate this machine without all guarding in place.
- Do not make adjustments or perform maintenance on this machine with power on.
- Keep the machine and the work area clean and free of spills to prevent accidents.
- Be sure to replace any safety decals that may have been detached for any reason.

Baumfolder reserves the right to make changes in design or to make additions or improvements in its products without imposing any obligation upon itself to install them on its products previously manufactured. It is recommended that modifications to this equipment not be made without the advice and express written consent of Baumfolder.

### **FOLDER IDENTIFICATION**

MODELNO: \_\_\_\_\_ SERIALNO: \_\_\_\_\_

SALES AGENCY: \_\_\_\_\_

INSTALLED BY: \_\_\_\_\_ DATE: \_\_\_\_\_

PHONE NO: \_\_\_\_\_

# 1.0 SOUND COVER INSTALLATION INSTRUCTIONS

## 1) Getting Started

It's very important that you follow these instructions in the sequence noted. Read the instructions carefully before proceeding with the actual work.

### WARNING

**Make certain that the 714XLT is unplugged. Do not plug the power cord into an AC outlet until the XLT is fully re-assembled, adjusted and ready to use. Unplug the XLT any time disassembly is required.**

Find a suitable table upon which to set the XLT if not already mounted to the Baum USA optional carts (P/N 55849-001 or 279-834-BG-01).

1) Locate and remove the plugs (4) on the back of the non-operator side guard.(See figure 1, Item 1) These holes are for mounting the rear sound cover door.

2) Remove the guard from the non-operator side by removing the four button head screws; using a an allen wrench.

3) Mount the bottom half of the hinge(Figure 2, Item 1) to the hinge mounting bracket(Figure 2, Item 2) so that the plastic side guard is clamped between them.(Figure 2, Item 3)

4) Make certain that the screws do not penetrate into the opening for the hinge pin.

Set aside panel until re-installation operation.

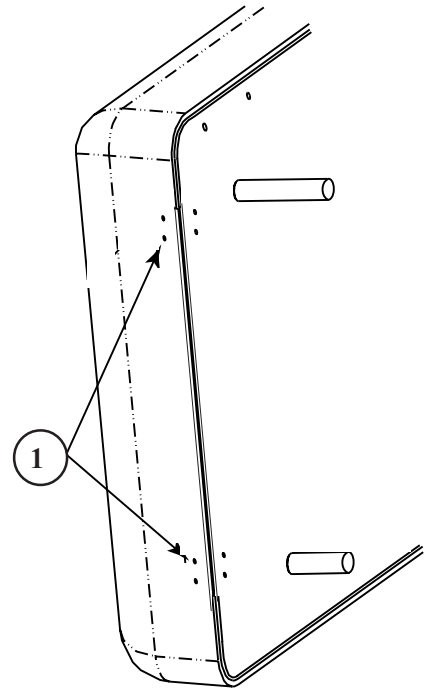


Figure 1

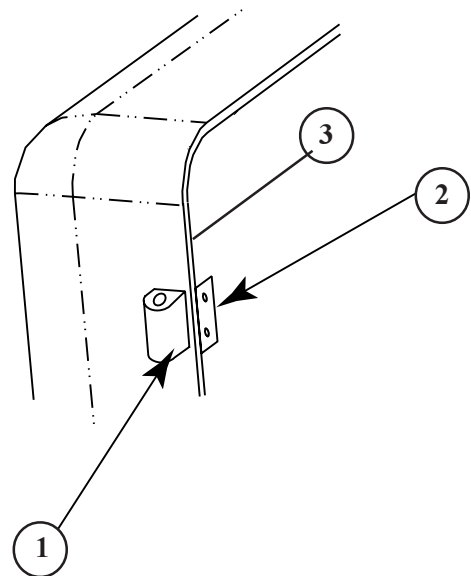


Figure 2

5) Remove the the operator handwheel using an allen wrench to loosen the set screw. Set the handwheel aside for re-installation.

6) Using an allen wrench, remove the operator's side guard by removing the four button head screws that attach the guard to the frame.

The guard on the operator's side contains the folder drive motor and counter wires which should be marked if they are going to be removed.

Use care when installing the operator side guard so as not to pinch or damage any of the wires.

7) Using Items 2, 3, 4 & 8 of Figure 3, attach Item 9 to both sides of Item 1. Do Not tighten at this time as the cover will need to be aligned and centered with the folder frame.

8) Attach the assembled cover to the frame with Items 5, 6, 7 & 10 of Figure 3.

Align and center the cover with the folder frame. Securely tighten the hinge to cover hardware of step 7.

9) As in Figure 4, attach Item 4 to the non operator folder frame using Items 2, 3 & 5.

10) Repeat 9) above to attach Item 4 to the top cover Item 1.(Figure 4)

11) If removed re-attach the folder drive motor and counter wires. Re-install the operator side guard and re-attach the operator handwheel.

12) Re-install the non operator side guard.

Fasten the hinge mounting brackets to the folder frame.(Figure 5, Item 1)

13) The next step is to install the top part of the hinge to the sound cover door with the pin pointing down. The top of the door has the finger hole for opening the door.

14) Mount the the latching bracket to the operators side frame. Attach the magnet to the latching bracket.

Close the rear sound cover door to check alignment, adjust the bracket until the door is latched.

15) Your sound cover guard installation is now complete.

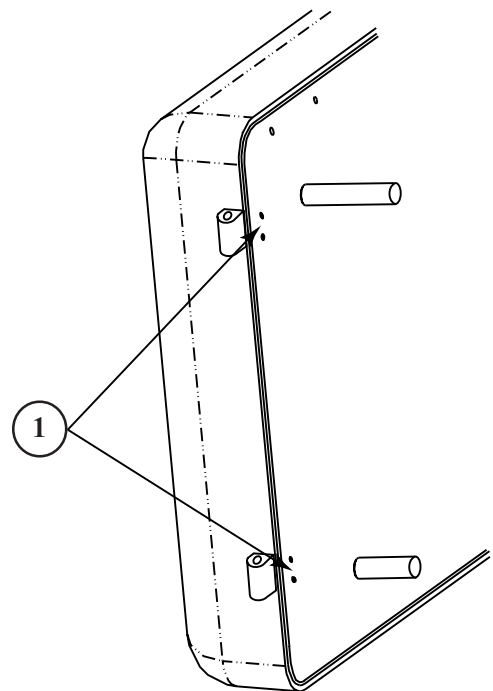


Figure 5

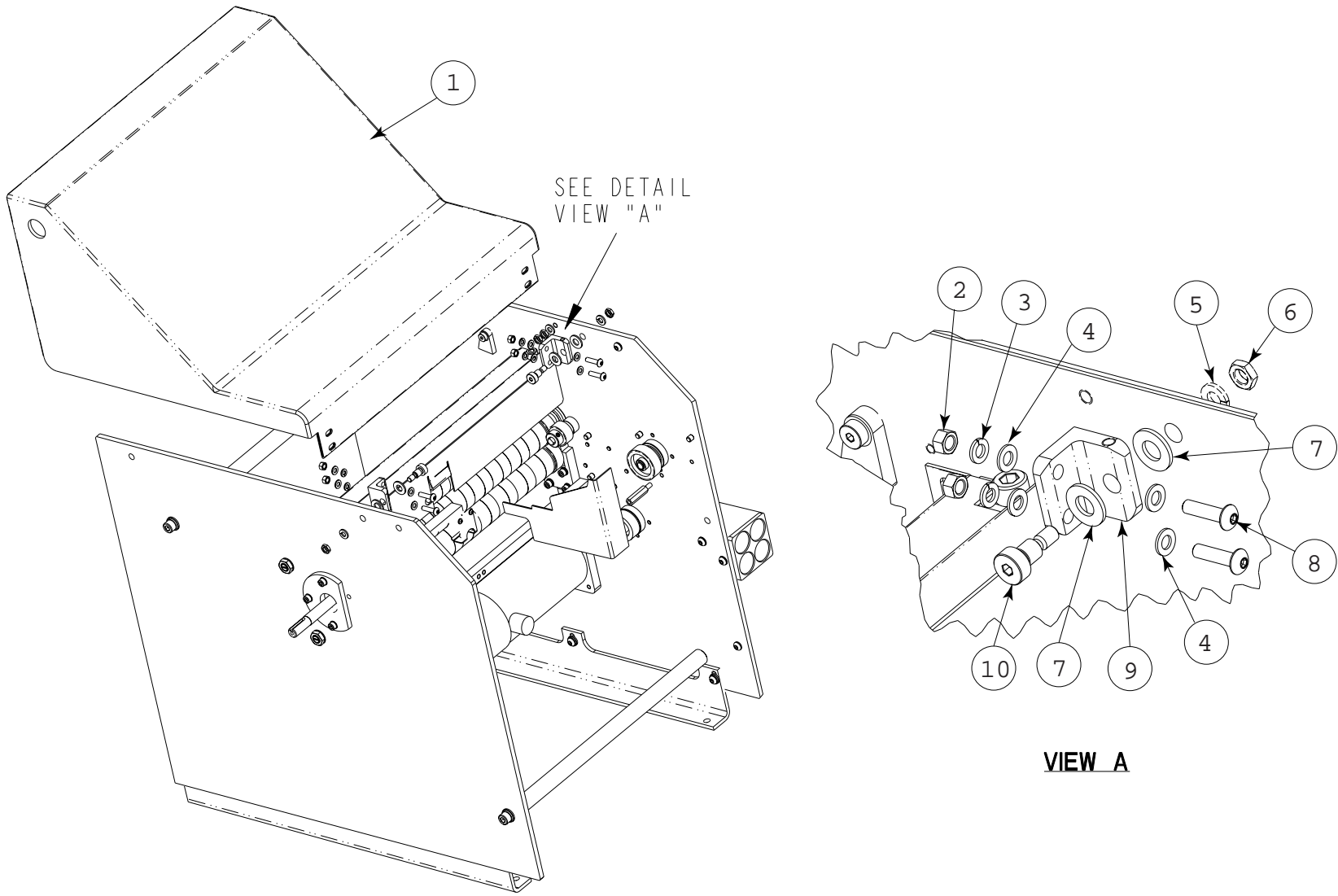


Figure 3

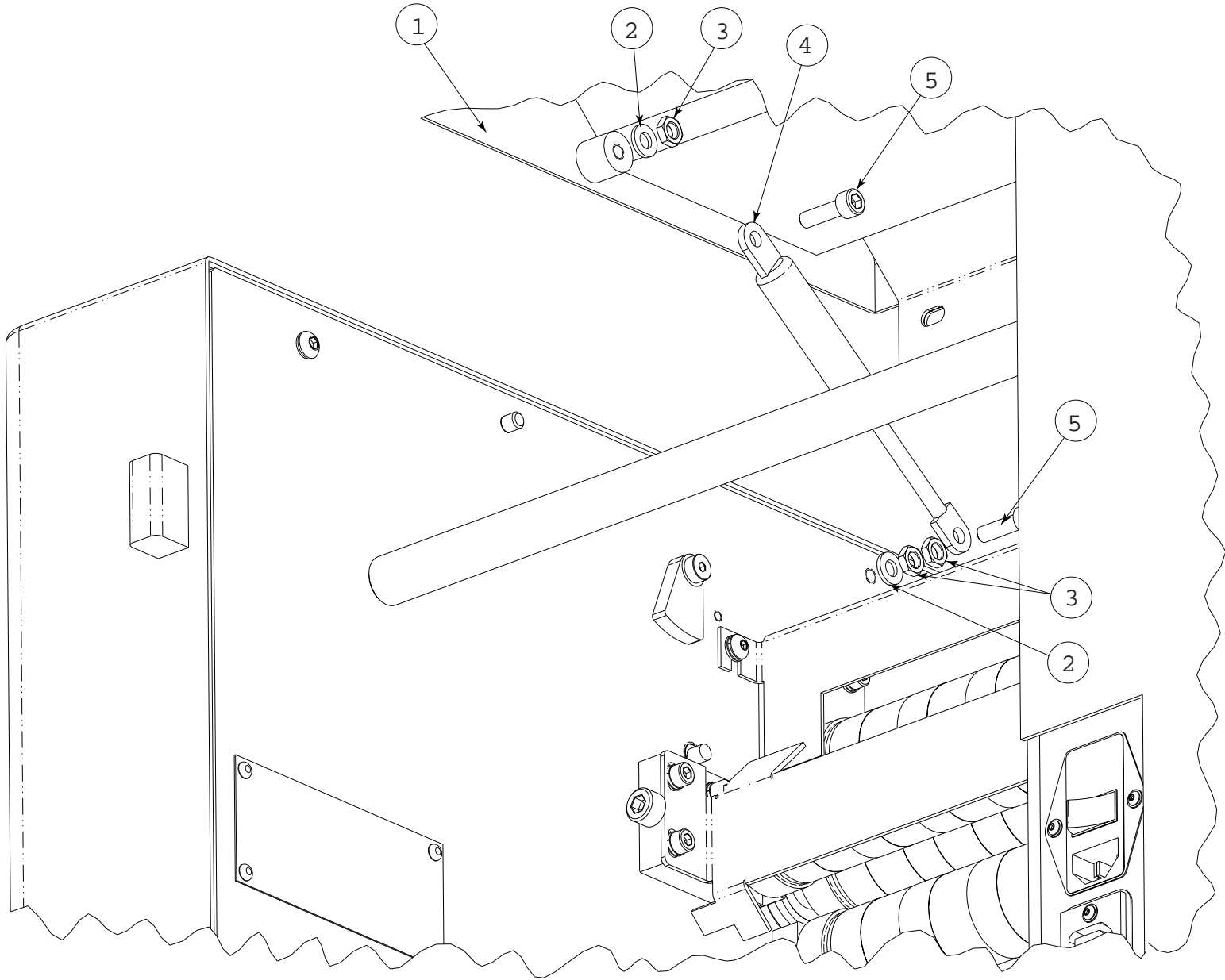


Figure 4

Baumfolder has authorized dealers located throughout the United States.

Call toll free, 1-800/543-6107 for parts or the number of your nearest authorized dealer.

**BAUMFOLDER  
CORPORATION**

*Quality Bindery Equipment Since 1917*

1660 Campbell Road  
Sidney, Ohio 45365-0728  
Phone: 937/492-1281 or 800/543-6107  
Fax: 800/452-0947  
Internet: [www.baumfolder.com](http://www.baumfolder.com)  
E-mail: [baum@bright.net](mailto:baum@bright.net)

